

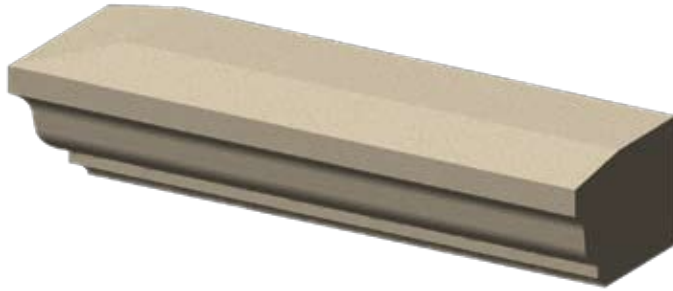
# WINDOW SILLS

SILLS

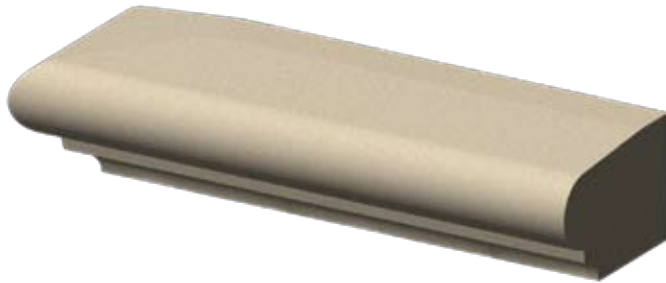


# WINDOW SILLS

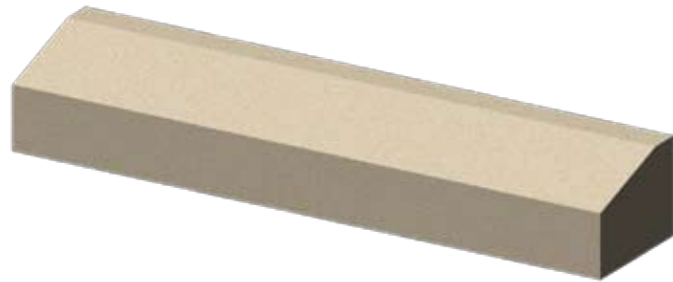
**S-1**



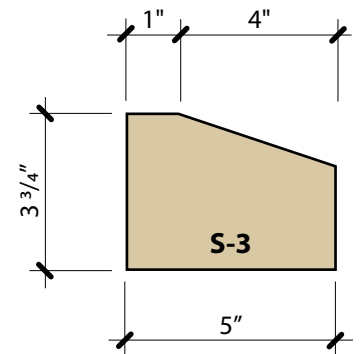
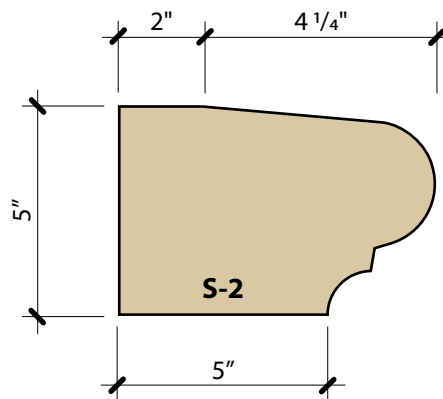
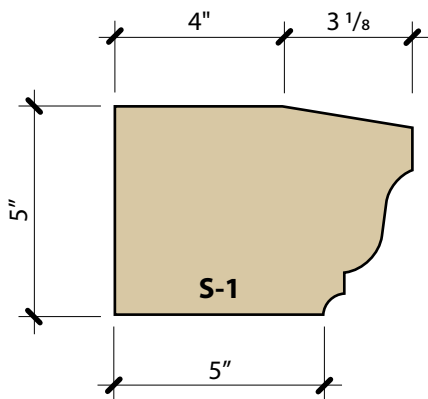
**S-2**



**S-3**



## PROFILES



Custom sizes and styles are available. Please ask for details.

# WINDOW SILLS

**S-4**



**S-5**

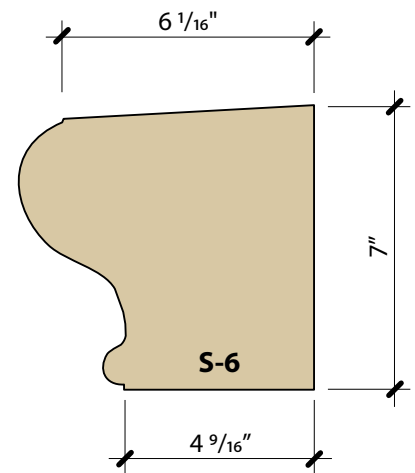
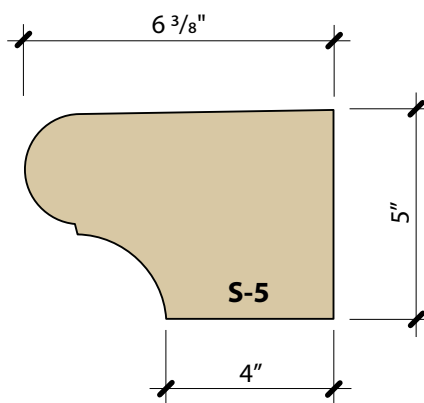
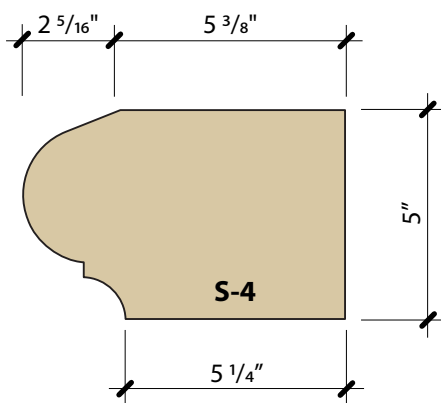


**S-6**



**NASC** is constantly adding new items to its inventory. Please contact one of our representatives to request the latest styles.

If you have something in mind, just let us know. Our Design and Drafting Department has the capability to transform your ideas into cast stone.



Custom sizes and styles are available. Please ask for details.

SILLS

# ARCHITECTURAL *Cast Stone*

## Placing an Order

Our pledge “Experience the Solution” exemplifies what we are capable of doing to make the process as simple as possible for you. Just send us what you have.

If you have a set of construction documents (set of plans), then that will do. If not, send us what you have. Perhaps you are involved in the restoration of an historical building that is older than paper, send us your sketches, photographs or hand drawings. We’ll work from there.

Generally that’s all we need to provide you with a preliminary consultation and estimate. If we have questions, we’ll contact you. Remember: Accurate dimensions are the key for accurate estimates.

## How to send us your documents

Email is faster, economical and often easier. Send us CAD files, sketches and photos in almost any format. We’ll reply with a confirmation and a few questions to clarify the scope of the project, shortly after, you’ll receive our proposal. NASC submits detailed, itemized proposals. The proposal will allow you to have a clear idea of what’s included in the project. In many cases, we provide alternative proposals as recommendations or as suitable replacements.

For additional information regarding our entire line of products, services, and highly skilled installers, please contact us at **972-562-9992** or email us at [info@northamericanstone.com](mailto:info@northamericanstone.com) You may also visit us on the internet at [www.northamericanstone.com](http://www.northamericanstone.com)

Please email plans for estimating to [plans@northamericanstone.com](mailto:plans@northamericanstone.com)  
In most cases, our estimating department can perform your estimate within 48 hours, whether you are hard bidding or simply establishing a budget.

*Experience the Solution!*

**[www.northamericanstone.com](http://www.northamericanstone.com)**



NORTH AMERICAN  
STONE COMPANY

---

P.O. Box 2300  
McKinney, TX 75070-8168  
972.562.9992 Office  
972.562.0794 Fax  
info@northamericanstone.com

[www.northamericanstone.com](http://www.northamericanstone.com)