

MISCELLANEOUS



MISCELLANEOUS

ADDRESS BLOCKS



AB-1
12" X 6" Recessed



AB-2
15" X 9" Recessed



AB-3
16" X 9" Recessed



AB-4
15" X 9" Projected



AB-5
19" X 11" Recessed



AB-6
14" X 9" Recessed



AB-7
15" X 9" Recessed



AB-8
15" X 9" Recessed

MISCELLANEOUS

Custom sizes and styles are available. Please ask for details.

CORBELS



CO-01

9 1/2" H X 11" W



CO-02

16 1/4" H X 6 3/4" W (Top)



CO-03

16" H X 12" W (Top)



CO-04

16" H X 11" W (Top)



CO-05

12 3/4" H X 7 5/8" W

Custom sizes and styles are available. Please ask for details.

MISCELLANEOUS

CORBELS



18" H X 8" W



18" H X 16 1/2" W (Top)



11 1/4" H X 7" W



12 3/4" H X 9 7/8" W (Top)

MISCELLANEOUS

Custom sizes and styles are available. Please ask for details.

CORBELS



CO-10

22 1/2" H X 9 1/8" W



CO-11

24" H X 8 1/8" W

CO-12



25" H X 5 3/8" W

CO-13



24" H X 11 3/4" W (Top)

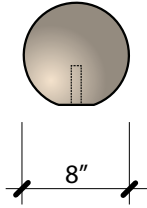
Custom sizes and styles are available. Please ask for details.

MISCELLANEOUS

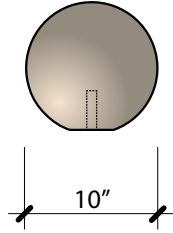
FINIALS

SPHERES

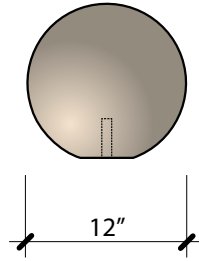
SPH-8



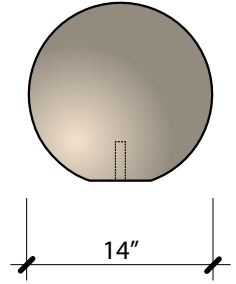
SPH-10



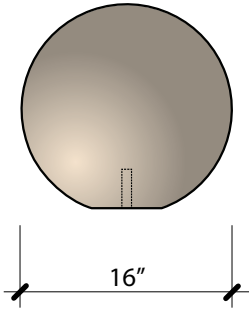
SPH-12



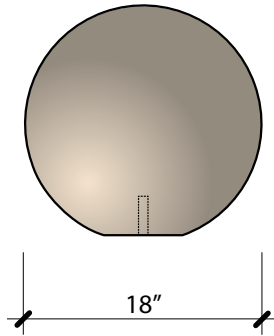
SPH-14



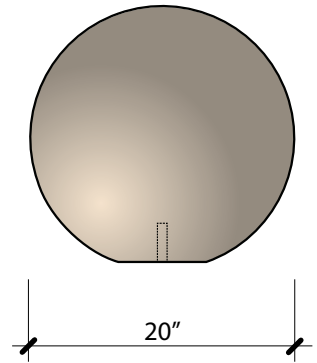
SPH-16



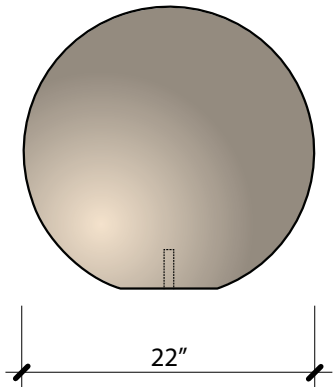
SPH-18



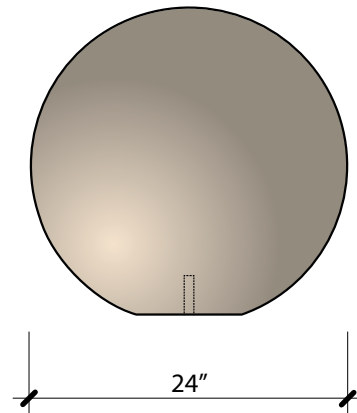
SPH-20



SPH-22



SPH-24



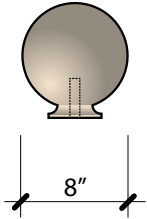
MISCELLANEOUS

Custom sizes and styles are available. Please ask for details.

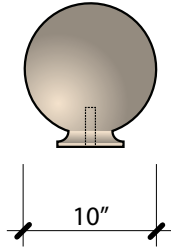
FINIALS

SPHERES WITH BASES

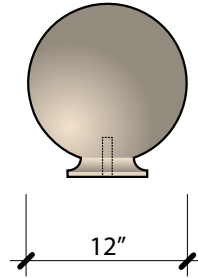
SPH-8B



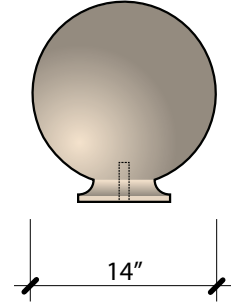
SPH-10B



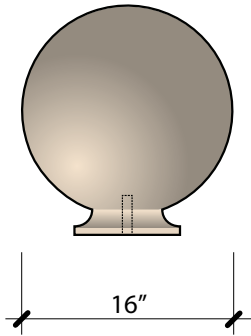
SPH-12B



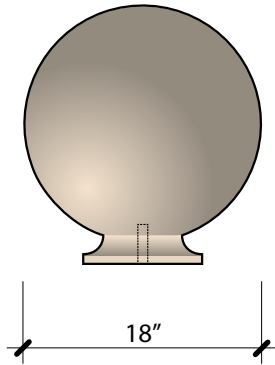
SPH-14B



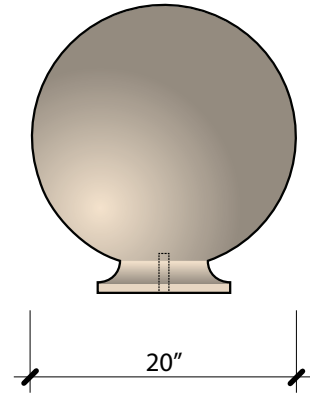
SPH-16B



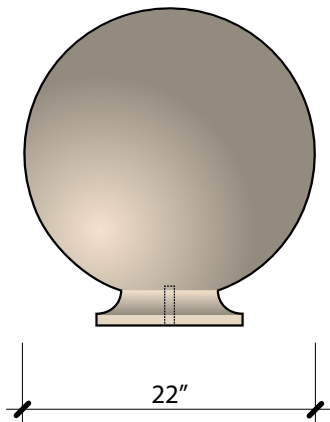
SPH-18B



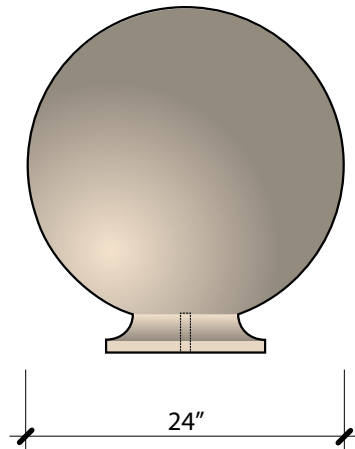
SPH-20B



SPH-22B



SPH-24B



Custom sizes and styles are available. Please ask for details.

KEYSTONES

STANDARD



FLAT	
Item #	H
FK-8	8"
FK-10	10"
FK-12	12"
FK-14	14"

BATWING



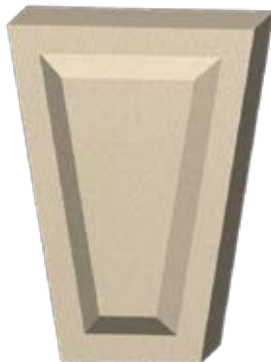
FLAT	
Item #	H
BFK-8	8"
BFK-10	10"
BFK-12	12"
BFK-14	14"



CHAMFERED	
Item #	H
CK-8	8"
CK-10	10"
CK-12	12"
CK-14	14"



CHAMFERED	
Item #	H
BCK-8	8"
BCK-10	10"
BCK-12	12"
BCK-14	14"



PROJECTED	
Item #	H
SK-8	8"
SK-10	10"
SK-12	12"
SK-14	14"



PROJECTED	
Item #	H
BSK-8	8"
BSK-10	10"
BSK-12	12"
BSK-14	14"



RECESSED	
Item #	H
RK-8	8"
RK-10	10"
RK-12	12"
RK-14	14"

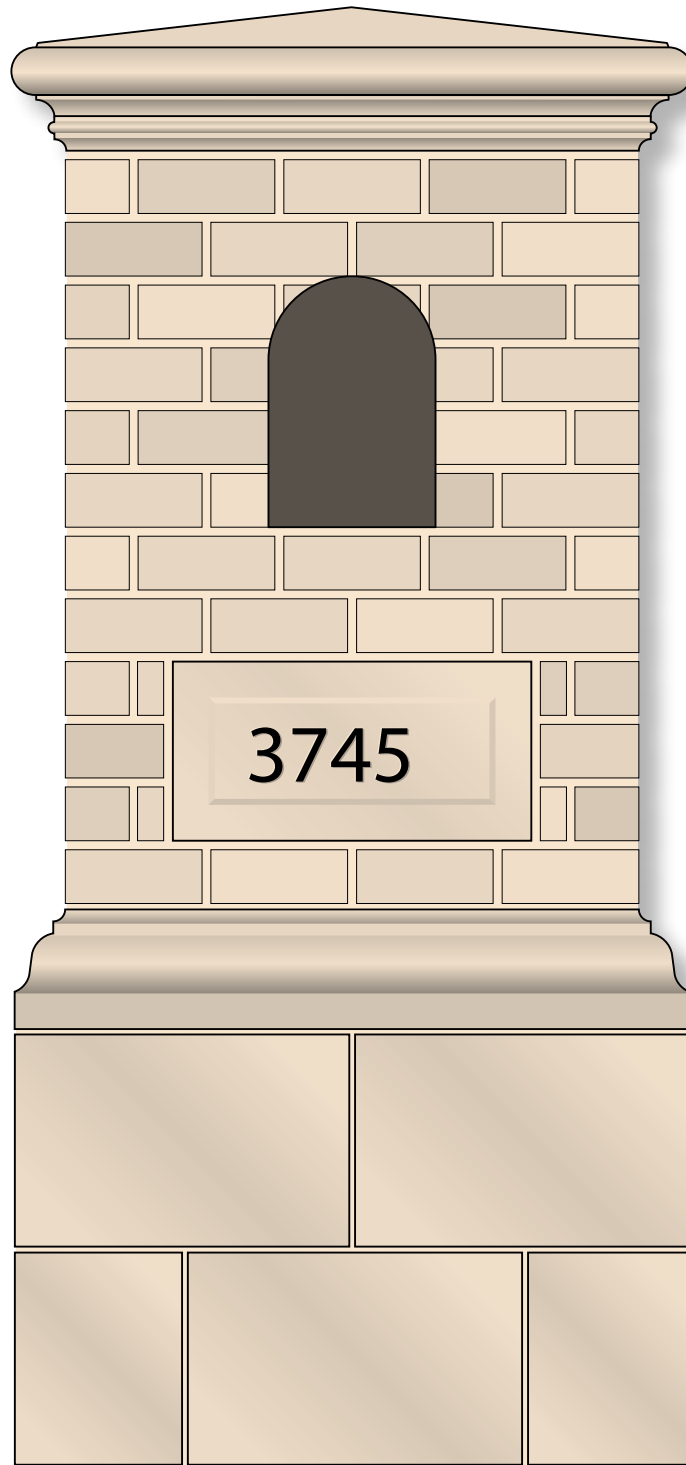


RECESSED	
Item #	H
BRK-8	8"
BRK-10	10"
BRK-12	12"
BRK-14	14"

MISCELLANEOUS

Custom sizes and styles are available. Please ask for details.

MAILBOX ASSEMBLIES

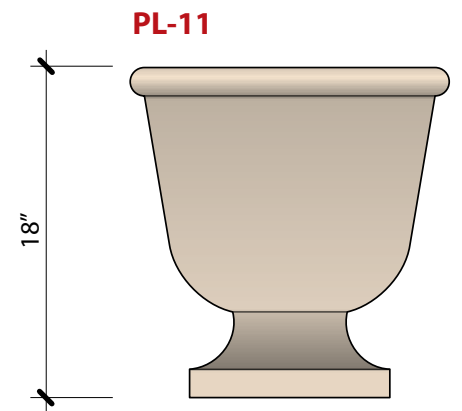
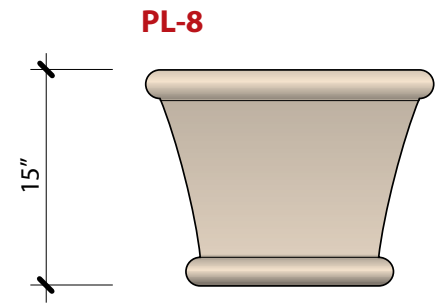
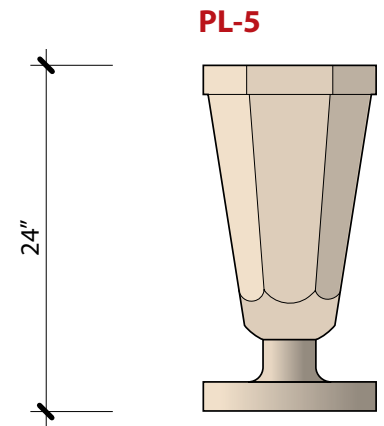
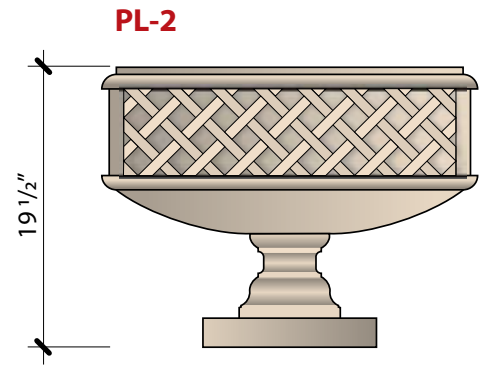
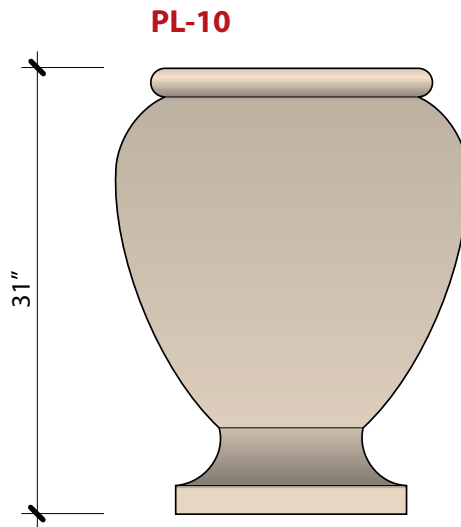
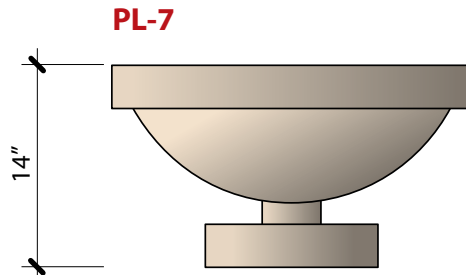
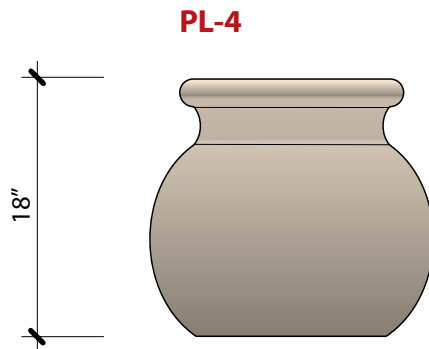
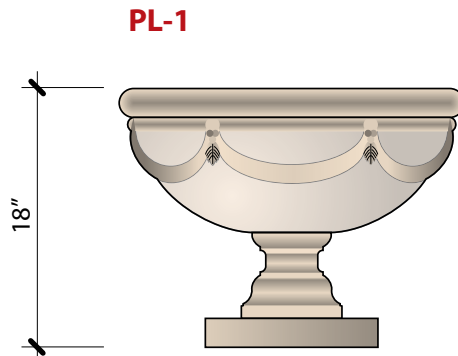
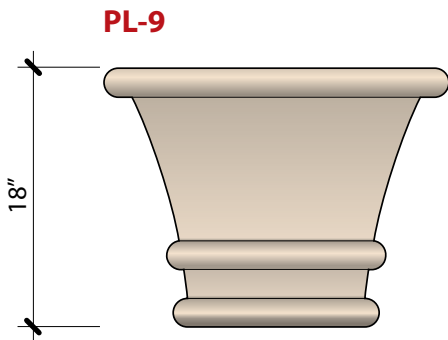
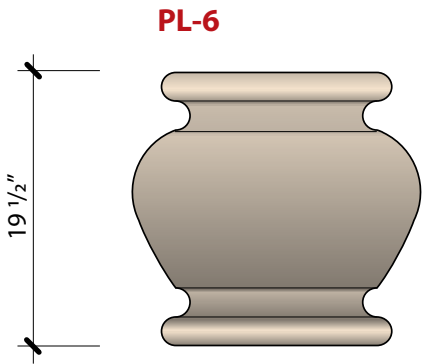
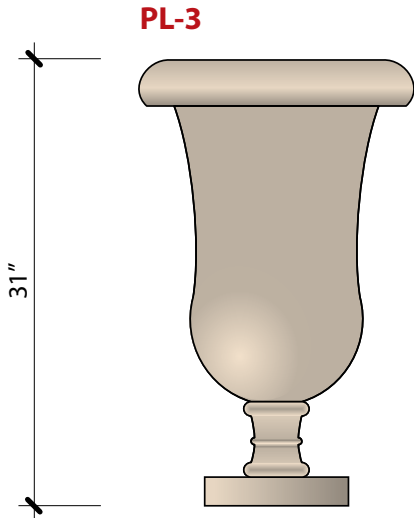


MISCELLANEOUS

Custom sizes and styles are available. Please ask for details.

PLANTERS

MISCELLANEOUS



Custom sizes and styles are available. Please ask for details.

PLANTERS



PL-12

PL-14



PL-13



PL-15



PL-16



MISCELLANEOUS

Custom sizes and styles are available. Please ask for details.

PLANTERS



PL-17

PL-18



PL-20

PL-21



PL-22



PL-23

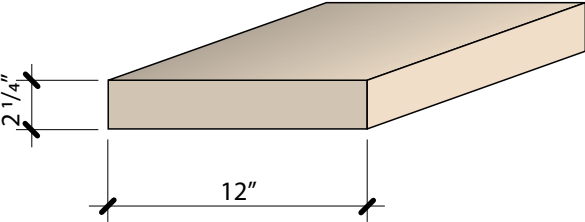


MISCELLANEOUS

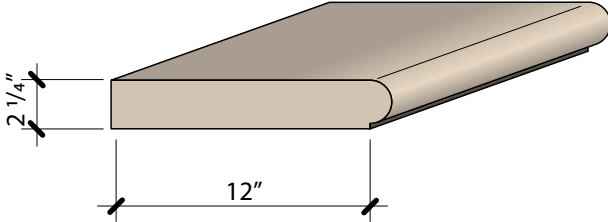
Custom sizes and styles are available. Please ask for details.

POOL COPING

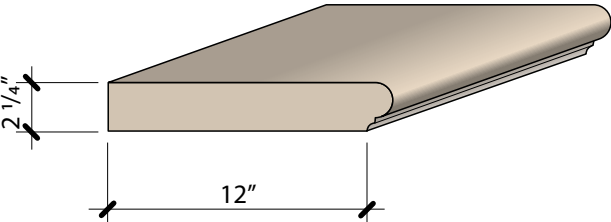
PC1-12



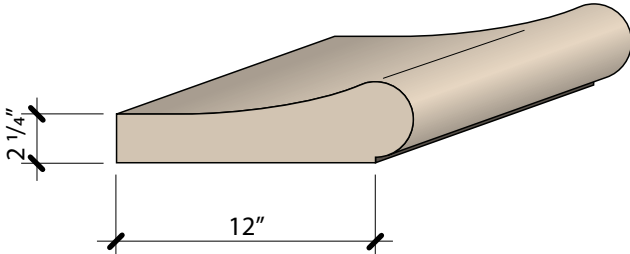
PC2-12



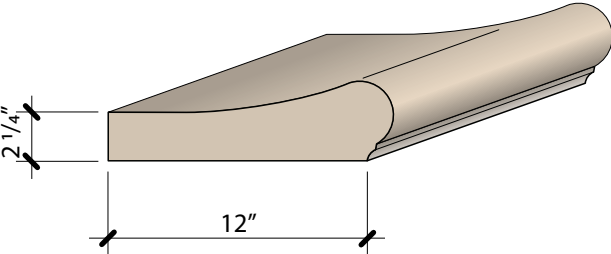
PC2a-12



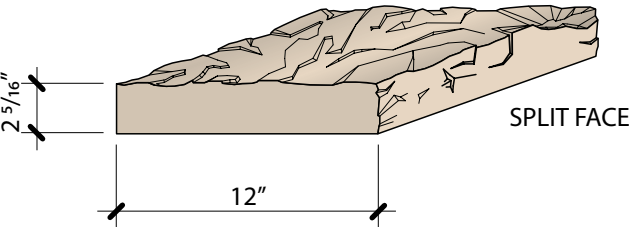
PC3-12



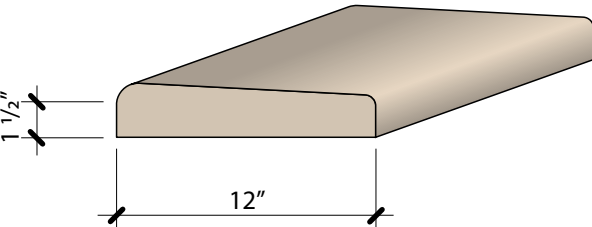
PC3a-12



PC4-12



PC5-12



MISCELLANEOUS

Custom sizes and styles are available. Please ask for details.

SIGNAGE



Removable sign to accommodate changes in schedules or other information.

Dimensions: 7' 9" W X 5' 9" H

Custom sizes and styles are available. Please ask for details.

SIGNAGE



Dimensions: 8' W X 5' 8" H

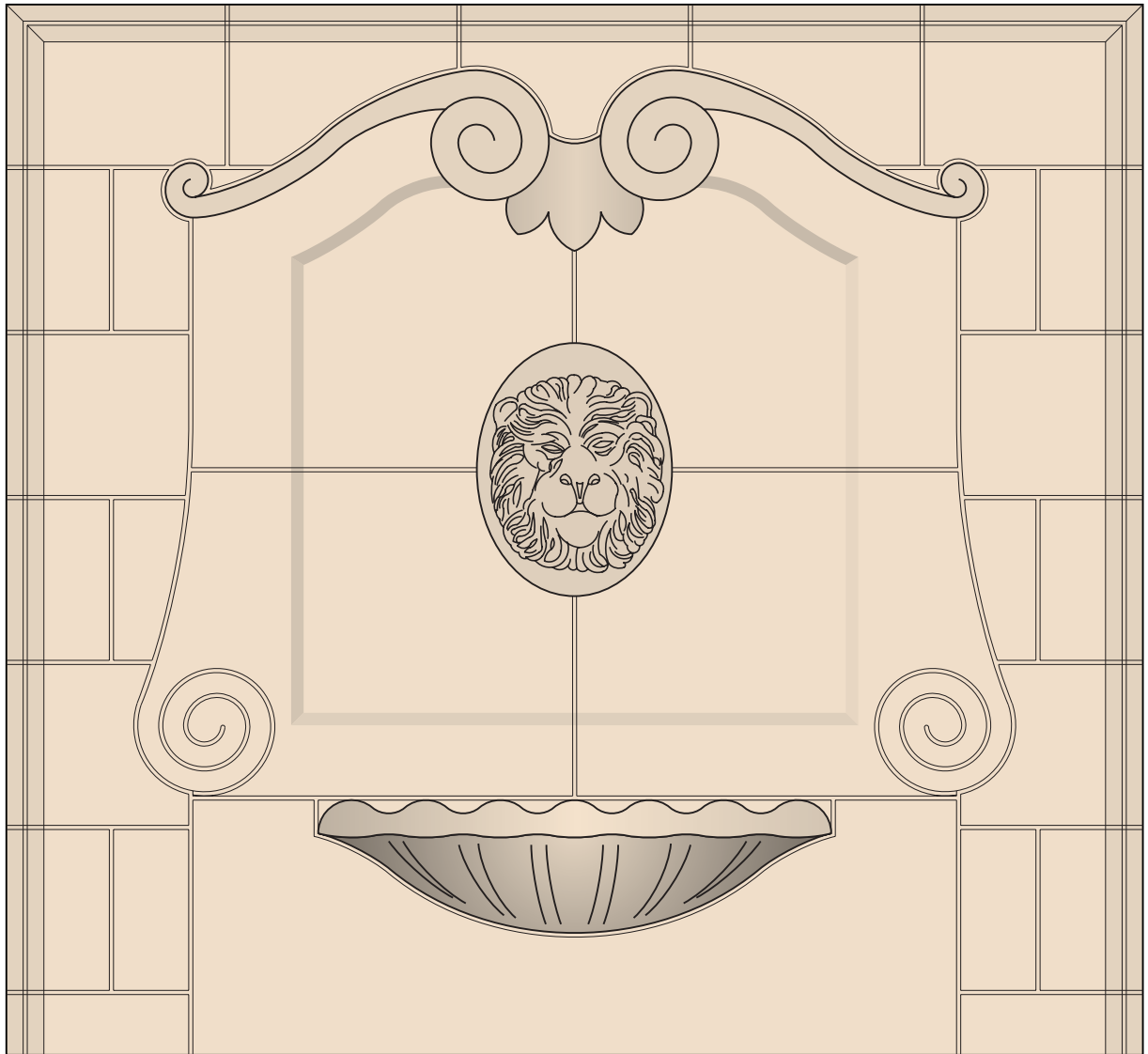


Dimensions: 5' 4" W X 2' 4" H

Custom sizes and styles are available. Please ask for details.

MISCELLANEOUS

FOUNTAINS



MISCELLANEOUS

WALL FOUNTAIN

Custom sizes and styles are available. Please ask for details.

ARCHITECTURAL *Cast Stone*

Placing an Order

Our pledge “Experience the Solution” exemplifies what we are capable of doing to make the process as simple as possible for you. Just send us what you have.

If you have a set of construction documents (set of plans), then that will do. If not, send us what you have. Perhaps you are involved in the restoration of an historical building that is older than paper, send us your sketches, photographs or hand drawings. We’ll work from there.

Generally that’s all we need to provide you with a preliminary consultation and estimate. If we have questions, we’ll contact you. Remember: Accurate dimensions are the key for accurate estimates.

How to send us your documents

Email is faster, economical and often easier. Send us CAD files, sketches and photos in almost any format. We’ll reply with a confirmation and a few questions to clarify the scope of the project, shortly after, you’ll receive our proposal. NASC submits detailed, itemized proposals. The proposal will allow you to have a clear idea of what’s included in the project. In many cases, we provide alternative proposals as recommendations or as suitable replacements.

For additional information regarding our entire line of products, services, and highly skilled installers, please contact us at **972-562-9992** or email us at info@northamericanstone.com You may also visit us on the internet at www.northamericanstone.com

Please email plans for estimating to plans@northamericanstone.com
In most cases, our estimating department can perform your estimate within 48 hours, whether you are hard bidding or simply establishing a budget.

Experience the Solution!

www.northamericanstone.com



NORTH AMERICAN
STONE COMPANY

P.O. Box 2300
McKinney, TX 75070-8168
972.562.9992 Office
972.562.0794 Fax
info@northamericanstone.com

www.northamericanstone.com